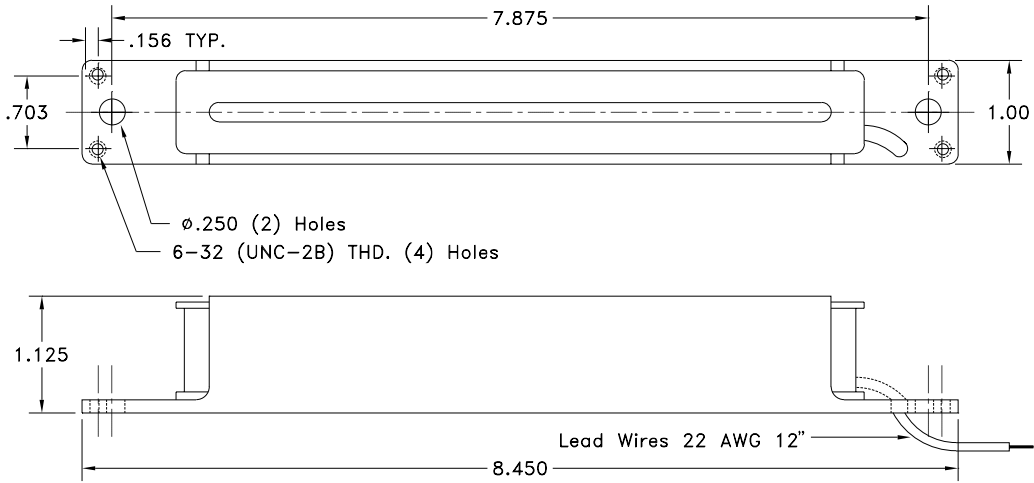


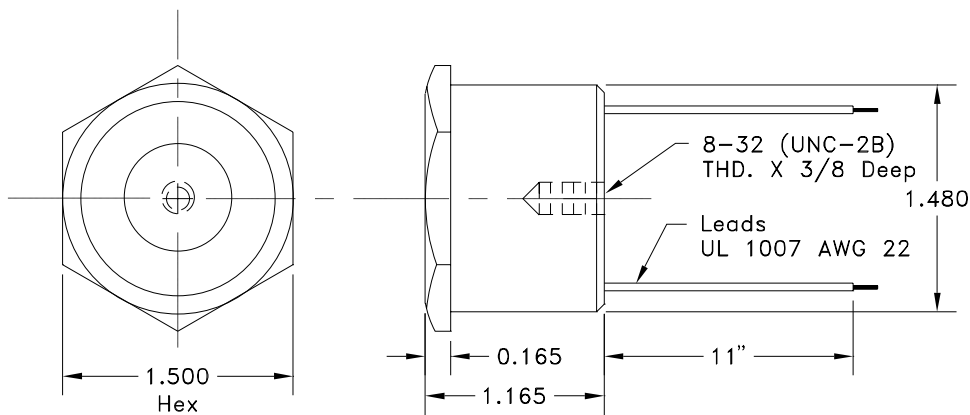
## ELECTROMAGNET



## SPECIFICATIONS

- |                                   |              |                             |                     |
|-----------------------------------|--------------|-----------------------------|---------------------|
| 1. OPERATING VOLTAGE:             | 24 VDC       | 5. DIELECTRIC STRENGTH:     | 1000 V. RMS         |
| 2. OPERATING CURRENT:             | .550 AMP MAX | 6. LEADS:                   | AWG - 22 - U/L      |
| 3. HOLDING FORCE AT 25°C:         | 85 LBS       | 7. TOTAL WEIGHT:            | 1.5 LBS (680 grams) |
| 4. MAXIMUM OPERATING TEMPERATURE: | 130°C        | 8. OTHER VOLTAGES AVAILABLE |                     |

## HEX ELECTROMAGNET



## SPECIFICATIONS

- |                                   |              |                             |                   |
|-----------------------------------|--------------|-----------------------------|-------------------|
| 1. OPERATING VOLTAGE:             | 24 VDC       | 5. DIELECTRIC STRENGTH:     | 1000 V. RMS       |
| 2. OPERATING CURRENT:             | .260 AMP MAX | 6. LEADS:                   | AWG - 22 - U/L    |
| 3. HOLDING FORCE AT 25°C:         | 50 LBS       | 7. TOTAL WEIGHT:            | 7 oz. (200 grams) |
| 4. MAXIMUM OPERATING TEMPERATURE: | 130°C        | 8. OTHER VOLTAGES AVAILABLE |                   |