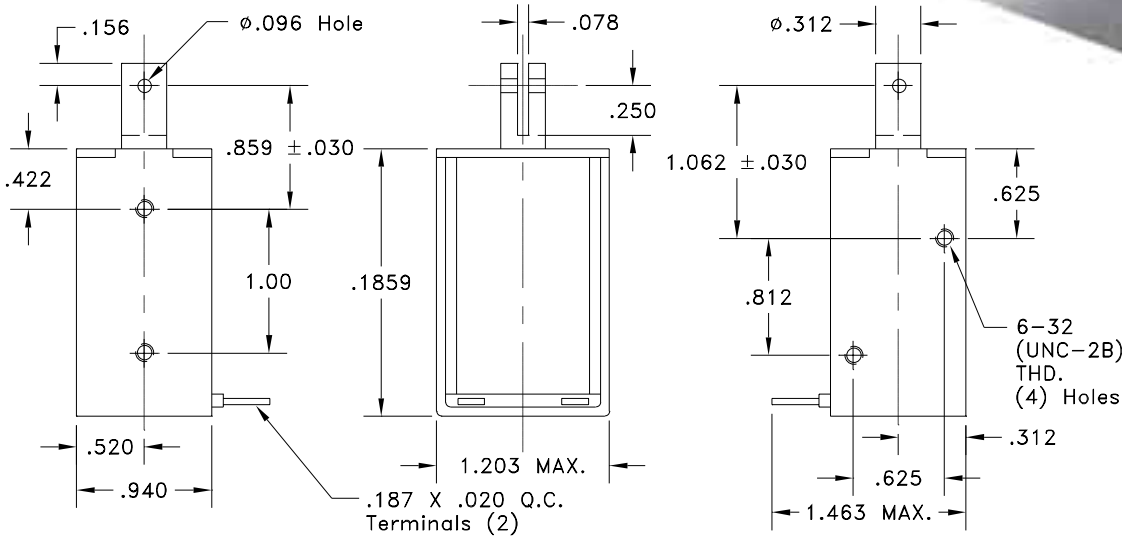
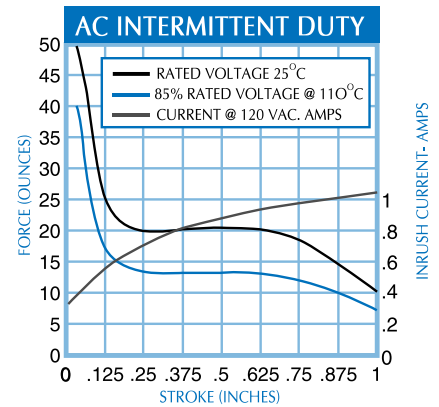
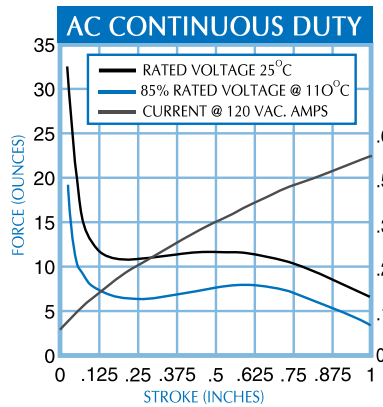
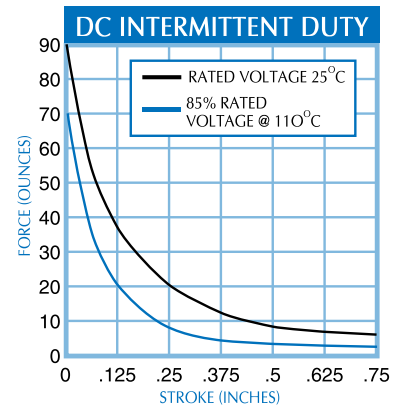
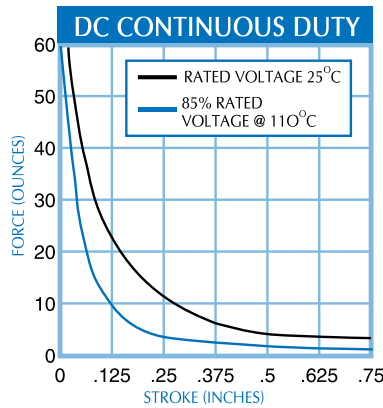


SERIES FS 110



	D.C.		A.C.		
	DUTY CONT.	DUTY INT.	DUTY CONT.	DUTY INT.	DUTY INT.
D.C. POWER WATTS	8	19	A.C. POWER VA	12	40
STD. D.C. VOLTAGES	D.C. COIL RESISTANCE (OHMS)		STD. A.C. VOLTAGES 60 HZ		
6	4.5	2	D.C. COIL RESISTANCE (OHMS)		
12	18	8	12	2	1.3
24	72	32	24	8	3.5
110	1500	630	120	195	85
220	6000	2500	240	770	340



SPECIFICATIONS

1. MAXIMUM OPERATING TEMPERATURE: 130° C
2. LIFE EXPECTANCY UNDER OPTIMUM LOAD: 5 x 10⁶ CYCLES
3. DIELECTRIC STRENGTH: 1500 V. RMS
4. TERMINATION: .187 x .020 Q.C.
5. TOTAL WEIGHT: 5 oz. (142 grams)
6. PLUNGER WEIGHT: 0.6 oz. (17 grams)

DC Models Available with Plunger Stop.

INTERMITTENT DUTY CYCLE AT NOMINAL VOLTAGE IS 4 MINUTES MAXIMUM FOR A.C. AT 25% DUTY AND 5 MINUTES MAXIMUM FOR D.C. AT 25% DUTY CYCLE.