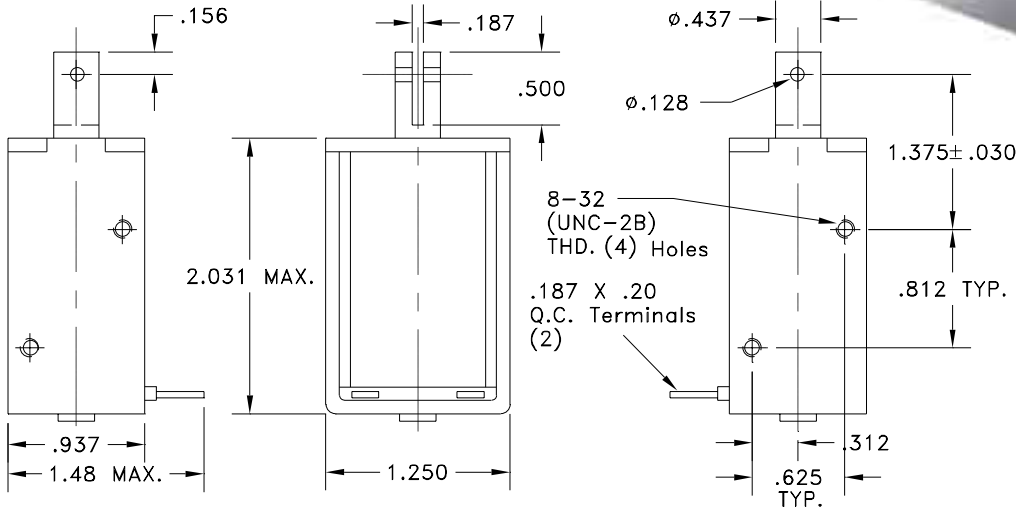
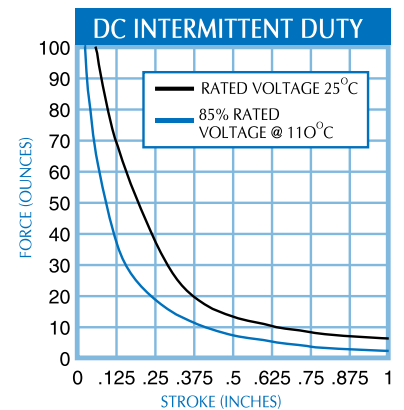
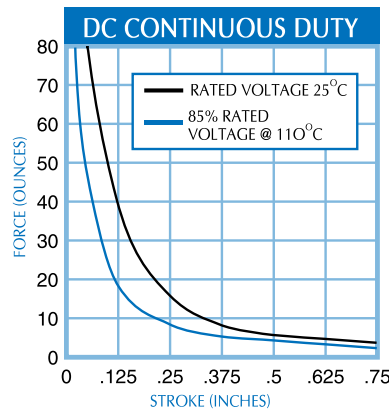


## SERIES FS 110 HD



DUTY	D.C.		DUTY	A.C.	
	CONT.	INT.		CONT.	INT.
D.C. POWER WATTS	8.5	20	A.C. POWER VA	16	40
STD. D.C. VOLTAGES	D.C. COIL RESISTANCE (OHMS)		STD. A.C. VOLTAGES 60 HZ		D.C. COIL RESISTANCE (OHMS)
6	4.2	1.9	12	4.2	1.3
12	17	7.2	24	7.2	3.5
110	1425	620	120	165	75
220	5700	2500	240	620	340



## SPECIFICATIONS

1. MAXIMUM OPERATING TEMPERATURE: 130°C
2. LIFE EXPECTANCY UNDER OPTIMUM LOAD: 5 x 10<sup>7</sup> CYCLES
3. DIELECTRIC STRENGTH: 1500 V. RMS
4. TERMINATION: .187 x .020 Q.C.
5. TOTAL WEIGHT: 8 oz. (225 grams)
6. PLUNGER WEIGHT: 1 oz. (28 grams)

DC Models Available with Plunger Stop.

INTERMITTENT DUTY CYCLE AT NOMINAL VOLTAGE IS 4 MINUTES MAXIMUM FOR A.C. AT 25% DUTY AND 5 MINUTES MAXIMUM FOR D.C. AT 25% DUTY CYCLE.

