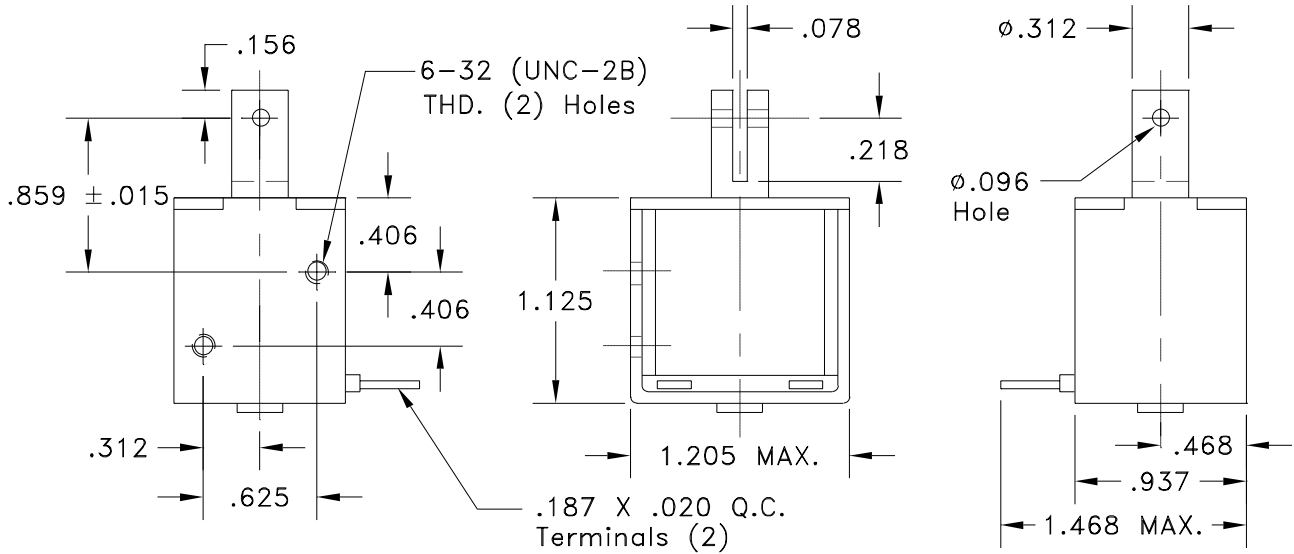
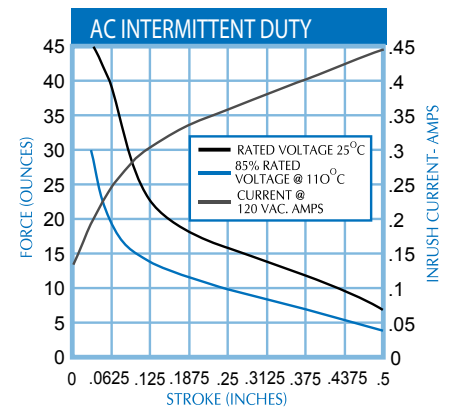
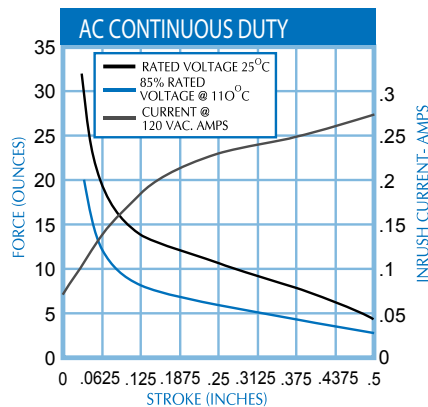
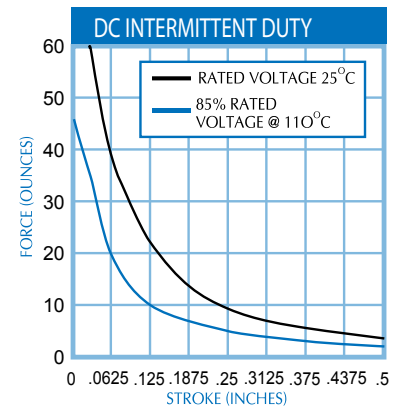
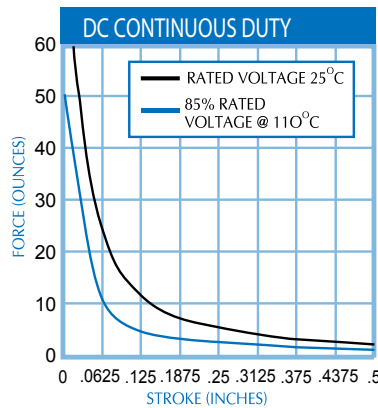


## SERIES FS 280



DUTY	D.C.		DUTY	A.C.	
	CONT.	INT.		CONT.	INT.
D.C. POWER WATTS	5.5	11	A.C. POWER VA	8	22
STD. D.C. VOLTAGES	D.C. COIL RESISTANCE (OHMS)		STD. A.C. VOLTAGES 60 HZ	D.C. COIL RESISTANCE (OHMS)	
6	7.2	3.2			
12	27	13	12	4	2
24	104	50	24	17	7.5
110	2200	1100	120	400	220
220	8800	4400	240	1600	880



## SPECIFICATIONS

1. MAXIMUM OPERATING TEMPERATURE: 130°C
2. LIFE EXPECTANCY UNDER OPTIMUM LOAD: 5 x 10<sup>6</sup> CYCLES
3. DIELECTRIC STRENGTH: 1500 V. RMS
4. TERMINATION: .187 x .020 Q.C.
5. TOTAL WEIGHT: 4.5 oz. (127 grams)
6. PLUNGER WEIGHT: 0.5 oz. (17 grams)

DC Models Available with Plunger Stop.

INTERMITTENT DUTY CYCLE AT NOMINAL VOLTAGE IS 4 MINUTES MAXIMUM FOR A.C. AT 25% DUTY AND 5 MINUTES MAXIMUM FOR D.C. AT 25% DUTY CYCLE.