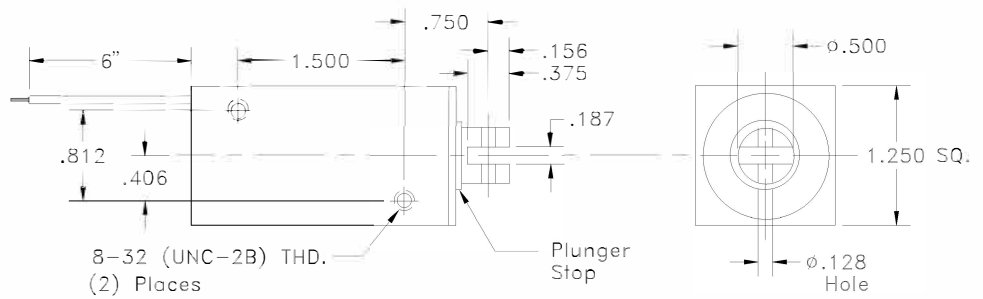


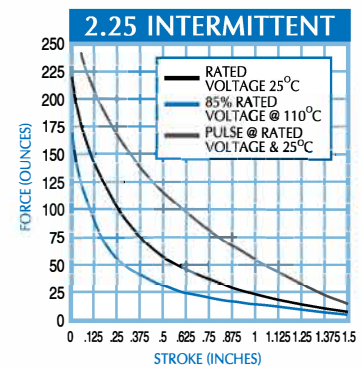
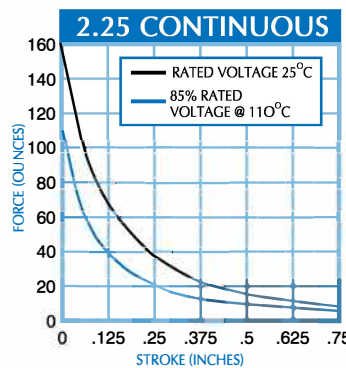
SERIES SQ 1250

LENGTH INCHES	2.250		
DUTY	CONT.	INT.	PULSE
D.C. POWER WATTS	13	52	155
STD. D.C. VOLTAGES	STD. DC COIL RESISTANCE (OHMS)		
6	2.75	N/R	N/R
12	11	2.75	0.9
24	44	11	3.8
110	930	230	80



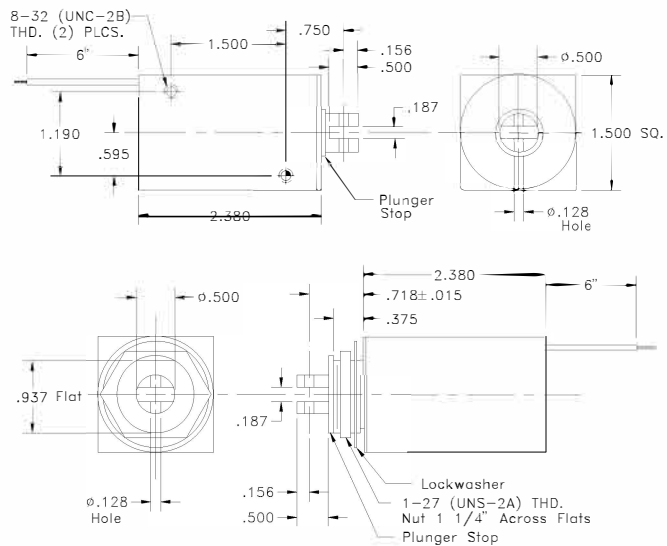
SPECIFICATIONS

1. MAXIMUM OPERATING TEMPERATURE: 130°C
2. LIFE EXPECTANCY UNDER OPTIMUM LOAD: 10⁶ CYCLES
3. DIELECTRIC STRENGTH: 1500 V. RMS
4. LEADS: AWG - 22 - U/L
5. TOTAL WEIGHT: 11.5 oz. (326 grams)
6. PLUNGER WEIGHT: 1.95 oz. (55 grams)



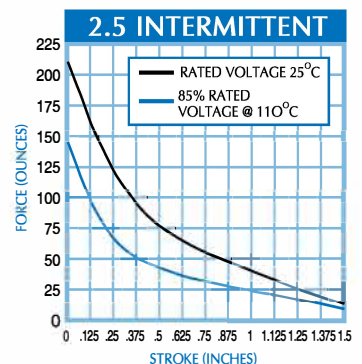
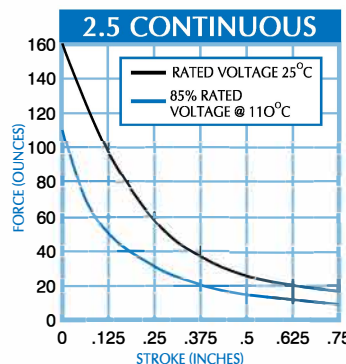
SERIES SQ 1500

LENGTH INCHES	2.500	
DUTY	CONT.	INT.
D.C. POWER WATTS	16	60
STD. D.C. VOLTAGES	STD. DC COIL RESISTANCE (OHMS)	
6	2.25	N/R
12	9	2.5
24	36	9.5
110	750	200



SPECIFICATIONS

1. MAXIMUM OPERATING TEMPERATURE: 130°C
2. LIFE EXPECTANCY UNDER OPTIMUM LOAD: 10⁶ CYCLES
3. DIELECTRIC STRENGTH: 1500 V. RMS
4. LEADS: AWG - 22 - U/L
5. TOTAL WEIGHT: 19 oz. (537 grams)
6. PLUNGER WEIGHT: 2.48 oz. (70 grams)



INTERMITTENT DUTY CYCLE AT NOMINAL VOLTAGE IS 1 MINUTE MAXIMUM ON TIME AT 10% DUTY. PULSE DUTY CYCLE IS 100 MILLISECONDS ON AT 10% DUTY.