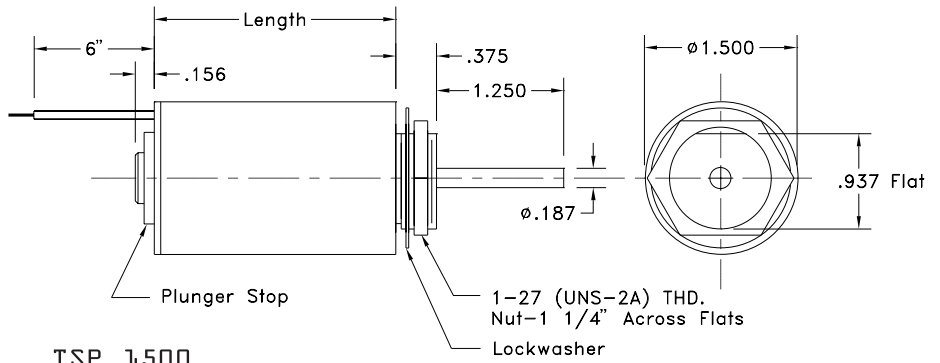
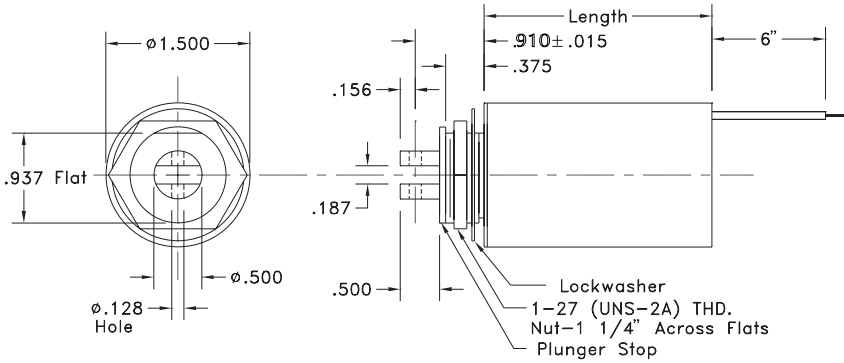
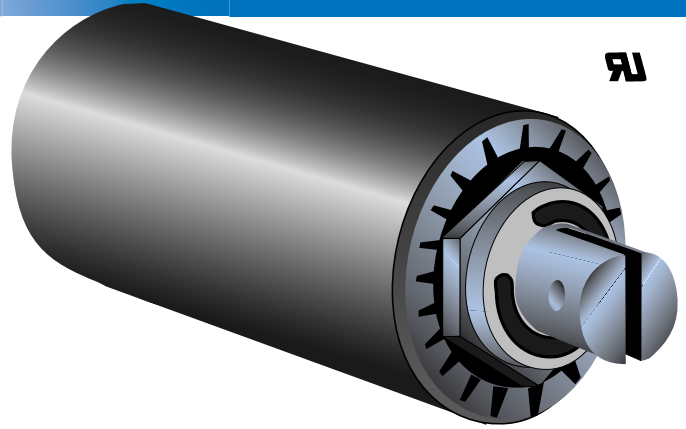


# SERIES TS 1500



LENGTH INCHES	1.625			2.375		
	CONT.	INT.	PULSE	CONT.	INT.	PULSE
D.C. POWER WATTS	7	40	150	10	60	220
STD. D.C. VOLTAGES	STD. DC COIL RESISTANCE (OHMS)					
6	5	N/R	N/R	3.6	N/R	N/R
12	20	3.6	N/R	14	2.5	N/R
24	82	14	3.6	59	10	2.5
110	N/R	300	82	1200	200	59

TSP 1500

## SPECIFICATIONS

1. MAXIMUM OPERATING TEMPERATURE: 130°C
2. LIFE EXPECTANCY UNDER OPTIMUM LOAD: 10<sup>6</sup> CYCLES
3. DIELECTRIC STRENGTH: 1500 V. RMS
4. LEADS: AWG - 22 - U/L
5. TOTAL WEIGHT: 21.5 oz. (609 grams) MAX.
6. PLUNGER WEIGHT: 2.7 oz. (79 grams) MAX.

Both Models Available with or without Plunger Stop.

INTERMITTENT DUTY CYCLE AT NOMINAL VOLTAGE IS 1 MINUTE MAXIMUM ON TIME AT 10% DUTY. PULSE DUTY CYCLE IS 100 MILLISECONDS ON AT 10% DUTY.

