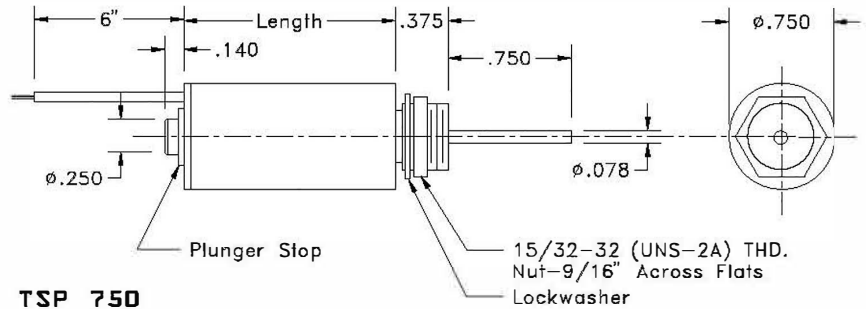
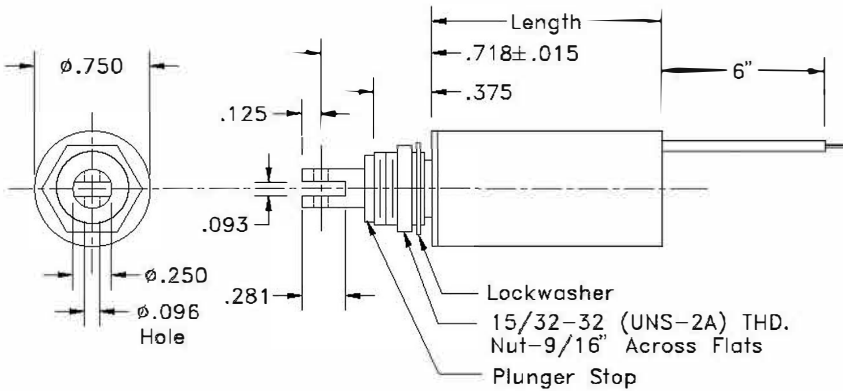
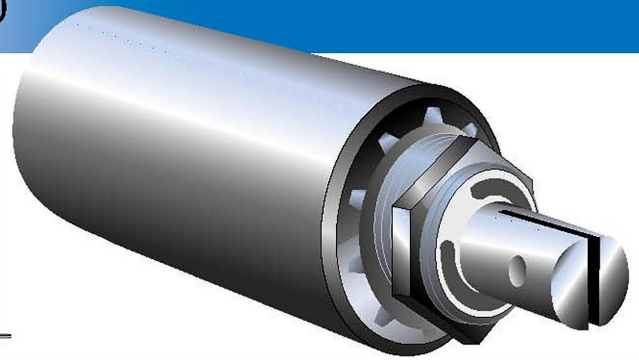


SERIES TS 750



TSP 750

LENGTH INCHES	1.000			1.500		
	DUTY	CONT.	INT.	PULSE	CONT.	INT.
D.C. POWER WATTS	3.5	15	56	4.0	22	82
STD. D.C. VOLTAGES	STD. DC COIL RESISTANCE (OHMS)					
6	10	2.4	N/R	9	1.6	N/R
12	41	10	2.4	36	6.5	1.6
24	164	41	10	144	25	6.5
110	N/R	N/R	216	N/R	550	144

SPECIFICATIONS

1. MAXIMUM OPERATING TEMPERATURE: 130°C
2. LIFE EXPECTANCY UNDER OPTIMUM LOAD: 10⁶ CYCLES
3. DIELECTRIC STRENGTH: 1000 V. RMS
4. LEADS: AWC - 22 - U/L 3.4 oz.
5. TOTAL WEIGHT: (95 grams) MAX. 0.5 oz.
6. PLUNGER WEIGHT: (145 grams) MAX.

Both Models Available with or without Plunger Stop.

INTERMITTENT DUTY CYCLE AT NOMINAL VOLTAGE IS 1 MINUTE MAXIMUM ON TIME AT 10% DUTY. PULSE DUTY CYCLE IS 100 MILLISECONDS ON AT 10% DUTY.

